



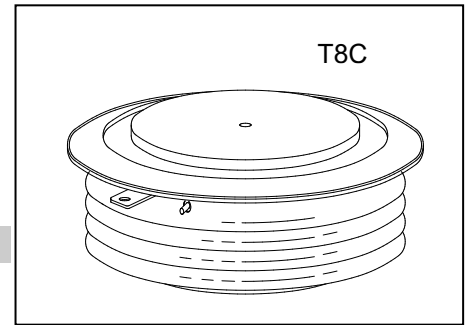
KP1540-POWER THYRISTOR

1200-1800 V_{DRM}

HIGH POWER THYRISTOR FOR PHASE CONTROL APPLICATIONS

Features:

- . All Diffused Structure
- . Amplifying Gate Configuration
- . Blocking capability up to 1800 volts
- . High dv/dt Capability
- . Pressure Assembled Device



ELECTRICAL CHARACTERISTICS AND RATINGS

Blocking - Off State

Device Type	V_{RRM} (1)	V_{DRM} (1)	V_{RSM} (1)
KP1540/12	1200	1200	1400
KP1540/14	1400	1400	1600
KP1540/16	1600	1600	1760
KP1540/18	1800	1800	1900

V_{RRM} = Repetitive peak reverse voltage
 V_{DRM} = Repetitive peak off state voltage
 V_{RSM} = Non repetitive peak reverse voltage (2)

Notes:

- (1) All voltage ratings are specified for an applied 50Hz sinusoidal waveform over the temperature range -40°C to $+125^{\circ}\text{C}$.
- (2) 10 msec. max. pulse width
- (3) Maximum value for $T_j = 125^{\circ}\text{C}$.
- (4) Minimum value for linear and exponential waveshape to 67% rated V_{DRM} . Gate open. $T_j = 125^{\circ}\text{C}$.
- (5) The value of di/dt is established in accordance with EIA/NIMA Standard JB/T 8950.2-2013

Repetitive peak reverse leakage and off state leakage	I_{RRM}/I_{DRM}	5 mA 65 mA (3)
Critical rate of voltage rise	dv/dt (4)	1000 V/ μs

Conducting - On State

Parameter	Symbol	Min.	Max.	Typ.	Units	Conditions
Average value of on-state current	$I_{T(AV)}$		1540		A	Sinewave, 180° conduction, $T_c=70^{\circ}\text{C}$
RMS value of on-state current	I_{TRMS}		2418		A	Nominal value
Peak one cycle surge (non repetitive) current	I_{TSM}		25000		A	10.0 msec (50Hz), sinusoidal waveshape, 180° conduction, $T_j = 125^{\circ}\text{C}$
I square t	I^2t		3.13×10^6		A^2s	10 msec
Latching current	I_L		700		mA	$V_D = 12\text{V}$; $R_L = 12\text{ohms}$
Holding current	I_H		200		mA	$V_D = 12\text{V}$; $I = 2.5\text{A}$
Peak on-state voltage	V_{TM}		1.6		V	$I_{TM}=3000\text{A}$; $T_j = 25^{\circ}\text{C}$
Threshold voltage, low-level	V_{TO}		0.78		V	$T_j = 125^{\circ}\text{C}$
Slope resistance, low-level	r_T		0.22		$\text{m}\Omega$	1000A to 5000A
Critical rate of rise of on-state current(5)	di/dt		200		A/ μs	$T_j = 125^{\circ}\text{C}$; $V_D = 0.67 V_{DRM}$; $f=50\text{Hz}$; $I_{TM}=2000\text{A}$

Gating

Parameter	Symbol	Min.	Max.	Typ.	Units	Conditions
Peak gate power dissipation	P_{GM}		20		W	
Average gate power dissipation	$P_{G(AV)}$		4		W	
Gate-trigger current	I_{GT}		150		mA	$V_D = 12\text{ V}; R_L = 3\text{ ohms}; T_j = +25\text{ }^\circ\text{C}$
Gate- trigger voltage	V_{GT}	0.7	2.5		V	$V_D = 12\text{ V}; R_L = 3\text{ ohms}; T_j = +25\text{ }^\circ\text{C}$
Peak negative voltage	V_{GRM}		5		V	

Dynamic

Parameter	Symbol	Min.	Max.	Typ.	Units	Conditions
Delay time	t_d		3.0	2.5	μs	$I_{TM}=100\text{A}; V_D=67\%V_{DRM}$ Gate pulse: $V_G=30\text{V}; R_G=10\text{ohms};$ $t_r=0.1\mu\text{s}; t_p=20\mu\text{s}$
Turn-off time (with $V_R = -5\text{ V}$)	t_q			250	μs	$I_{TM} = 1000\text{A}; di/dt = -10\text{A}/\mu\text{s};$ $V_R = 100\text{V}; dv/dt=30\text{V}/\mu\text{s};$ $V_D=67\%V_{DRM}; T_j=125\text{ }^\circ\text{C}$
Reverse recovery charge	Q_{rr}				μC	$I_{TM}=1000\text{A}; di/dt=-10\text{A}/\mu\text{s};$ $V_R=1\text{S}00\text{V}; T_j=125\text{ }^\circ\text{C}$

THERMAL AND MECHANICAL CHARACTERISTICS AND RATINGS

Parameter	Symbol	Min.	Max.	Typ.	Units	Conditions
Operating temperature	T_j	-40	+125		$^\circ\text{C}$	
Storage temperature	T_{stg}	-40	+140		$^\circ\text{C}$	
Thermal resistance - junction to case	$R_{\Theta(j-c)}$		0.022		$^\circ\text{C}/\text{W}$	Double sided cooled
Thermal resistance - case to heatsink	$R_{\Theta(c-s)}$		0.005		$^\circ\text{C}/\text{W}$	Double sided cooled
Mounting force	F	23	27	25	kN	
Weight	m			0.46	kg	

* Mounting surfaces smooth, flat and greased

